

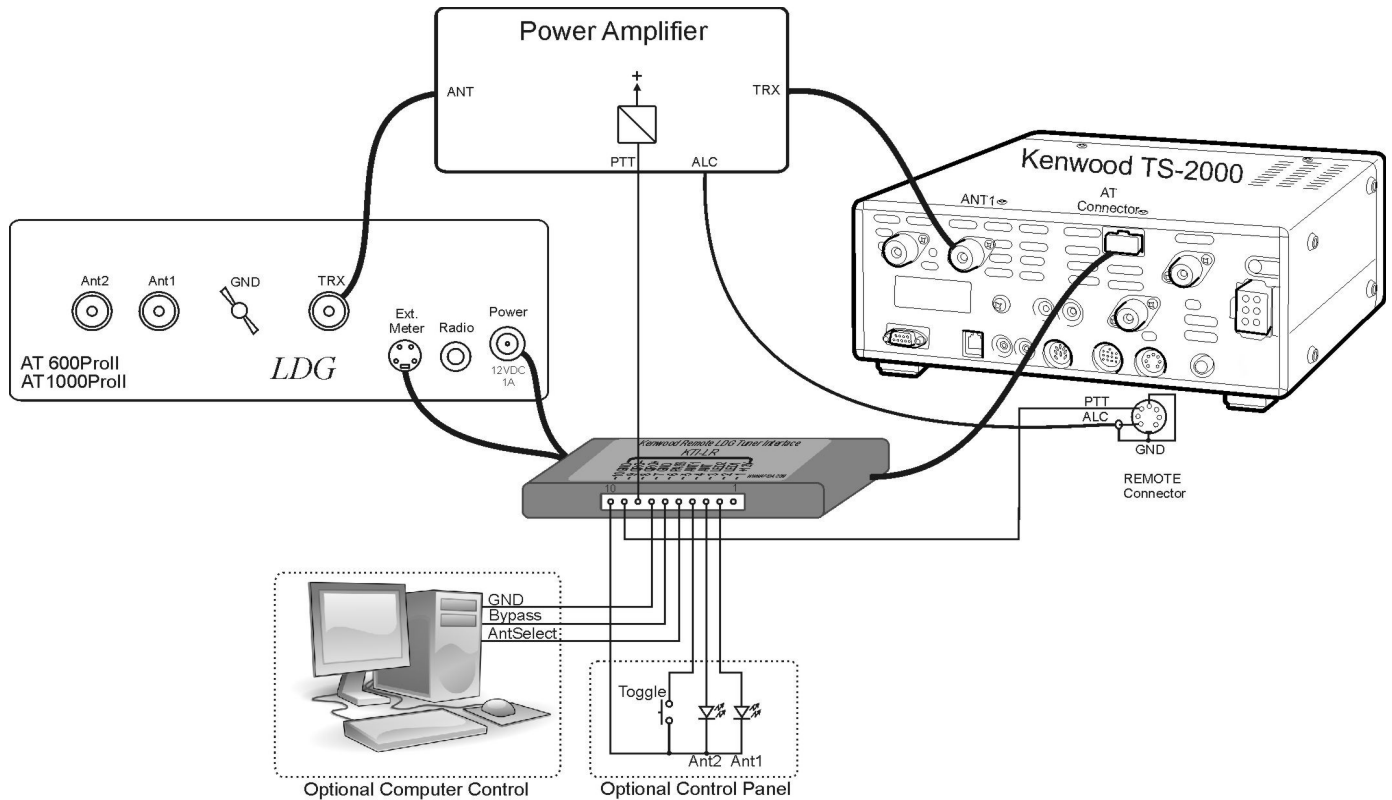
Kenwood Remote LDG Tuner Interface

KTI-LR



Features

- **Radio Interface**
Tune button on the transceiver can be used to start tuning or bypass the tuner.
Repeated tuning in 3sec will start Full tune cycle.
Compatible with TS-2000, TS-480, TS-590 or any rig capable of controlling Kenwood AT-300 tuner.
- **Remote Control Panel** (optional)
Using just 2 LED's and a push button to change antenna ports on remotely installed tuner.
- **Computer Control** (optional)
Connect to PC LPT port to switch between antenna ports or bypass the tuner.
Ham Radio Deluxe can be configured to automatically change antenna when changing bands.
- **Automatic Power Amplifier Control**
Safely switch OFF the Power Amplifier during tuning, changing antenna ports or bypass operations.



Pin#	Name	Description
1	+12V	Power from transceiver. Wired to transceiver AT connector.
2	LED1	Outputs with 470 Ohm resistor in series. +5V when corresponding antenna port is selected. Blinks while tuning. Alternates when communication with the tuner is lost and initializing.
3	LED2	
4	ANT	Antenna ports toggle button input. Terminated with 10 KOhm to +5V. Change +5V → 0V (close to GND) will toggle the tuner antenna port.
5	ANT1	Antenna select input. Terminated with 10 KOhm to +5V. +5V(open) select Ant1. 0V (GND) select Ant2.
6	PASS	Pass-thru input. Terminated with 10 KOhm to +5V. Change +5V → 0V (close to GND) will bypass tuner.
7	GND	Station ground.
8	QRO+	Power Amplifier control (FET) switch 24VDC / 0.2A MAX. Opens 20mS before either a Start tune, Antenna change or Bypass command is sent to the tuner. Closes 20mS after command has been completed.
9	QRO-	
10	GND	Station ground.

Mating connector kit is included (Molex housing 22-01-3107 and pins 08-50-0114)

Application Notes:

- Cable length: 1ft (0.3m) KTI-LR ↔ Transceiver, 6ft (1.8m) KTI-LR ↔ Tuner.
- Using standard S-Video cable extensions can shorten the Tuner +12VDC power output on pin1. Remove (cut) pin1 on miniDIN plug to avoid this.
- Interface was tested with 50ft. S-Video cable extension. Using long power supply cables to the tuner is not recommended. To avoid creating ground loops, use a separate external (not grounded) power supply for the tuner.